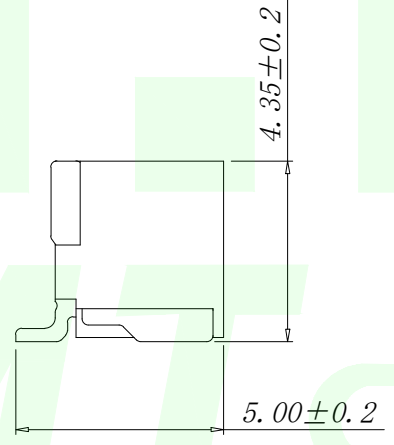
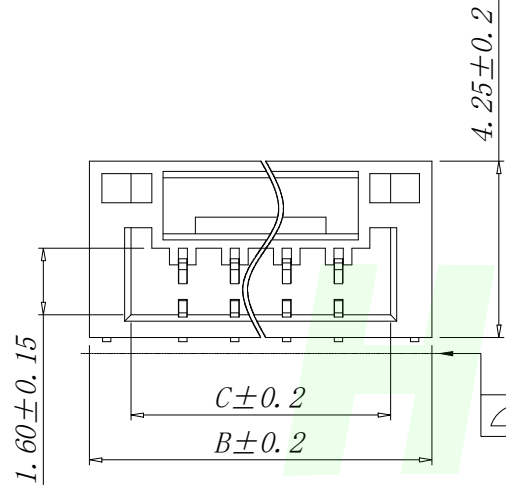
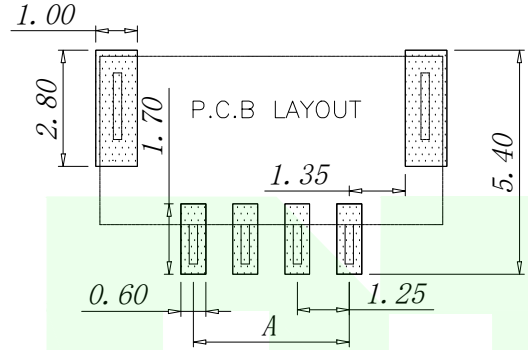
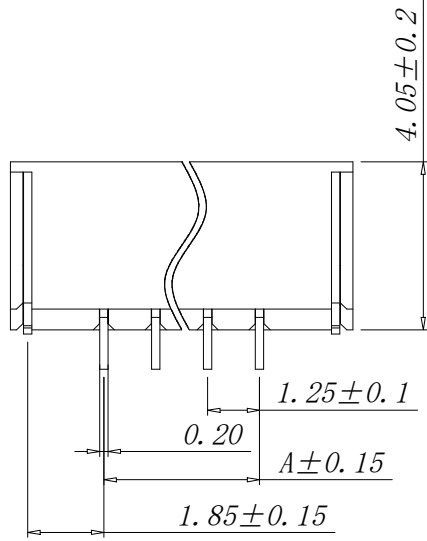


RoHs

VER	MARK	PR. BY	DESCRIPTION	DATE



0.1

PIN number variable size comparison table

Part No	Pin	A	B	C
W125112K-2PW2431	2	1.25	5.75	3.75
W125112K-3PW2431	3	2.50	7.00	5.00
W125112K-4PW2431	4	3.75	8.25	6.25
W125112K-5PW2431	5	5.00	9.50	7.50
W125112K-6PW2431	6	6.25	10.75	8.75
W125112K-7PW2431	7	7.50	12.00	10.00
W125112K-8PW2431	8	8.75	13.25	11.25
W125112K-9PW2431	9	10.00	14.50	12.50
W125112K-10PW2431	10	11.25	15.75	13.75
W125112K-11PW2431	11	12.50	17.00	15.00
W125112K-12PW2431	12	13.75	18.25	16.25
W125112K-13PW2431	13	15.00	19.50	17.50
W125112K-14PW2431	14	16.25	20.75	18.75
W125112K-15PW2431	15	17.50	22.00	20.00
W125112K-16PW2431	16	18.75	23.25	21.25

NOTES:

- 1.BASE: LCP
- 2.PIN: Brass
- 3.Solder Tab: Brass

SPECIFICATIONS:

- 1.Spacing: 1.25
- 2.Voltage Rating: 125V AC DC
- 3.Current Rating: 1A AC,DC
- 4.Insulation Resistance: 100MΩ Min
- 5.Contact Resistance: 20mΩ Max
- 6.Withstanding voltage: 500V AC 1/Minute
- 7.Temperatuer Range: -25℃ ~+ 85℃

GENERAL TOLERANCES
UNLESS SPECIFIED



深圳市华明通电子有限公司
Shenzhen Huamingtong Electronics Co., Ltd

X.X ±0.30 X.* ±5°
.XX ±0.20 X.X* ±1°
.XXX ±0.10 X.XX* ±0.5°

MANUFACTURE DWG

PART NO.
W125112K-XPW2431

DESIGN: James
CHED: Talen
APPD: Sophia

TITLE:
WAFER GH1.25 贴片带扣

CUSTOMER	SIZE	UNITS
	A4	MM
SCALE	SHEET	
	N:A	1/1