

AS85049/117

90° RFI/EMI Shield-Sock Shrink Boot Adapter

With Optional Self-Locking Coupling Nut

CONNECTOR DESIGNATOR:

H MIL-DTL-38999 Series III and IV
EN3645

Product Series and
Specification Sheet

Shield Finish
(Table IV)

Entry Size
(Table II)

Drain Hole
(Omit for None)

M85049/117

S

11

T

W

03

- 6

D

S = Detented, Self-Locking
- = Non-Self-Locking (Use Dash)
N = Non-Detented, Self-Locking

Shell Size
(Table I)

Finish
(Table III)

Braid Length
1 Inch Increments,
6" Min., 18" Max

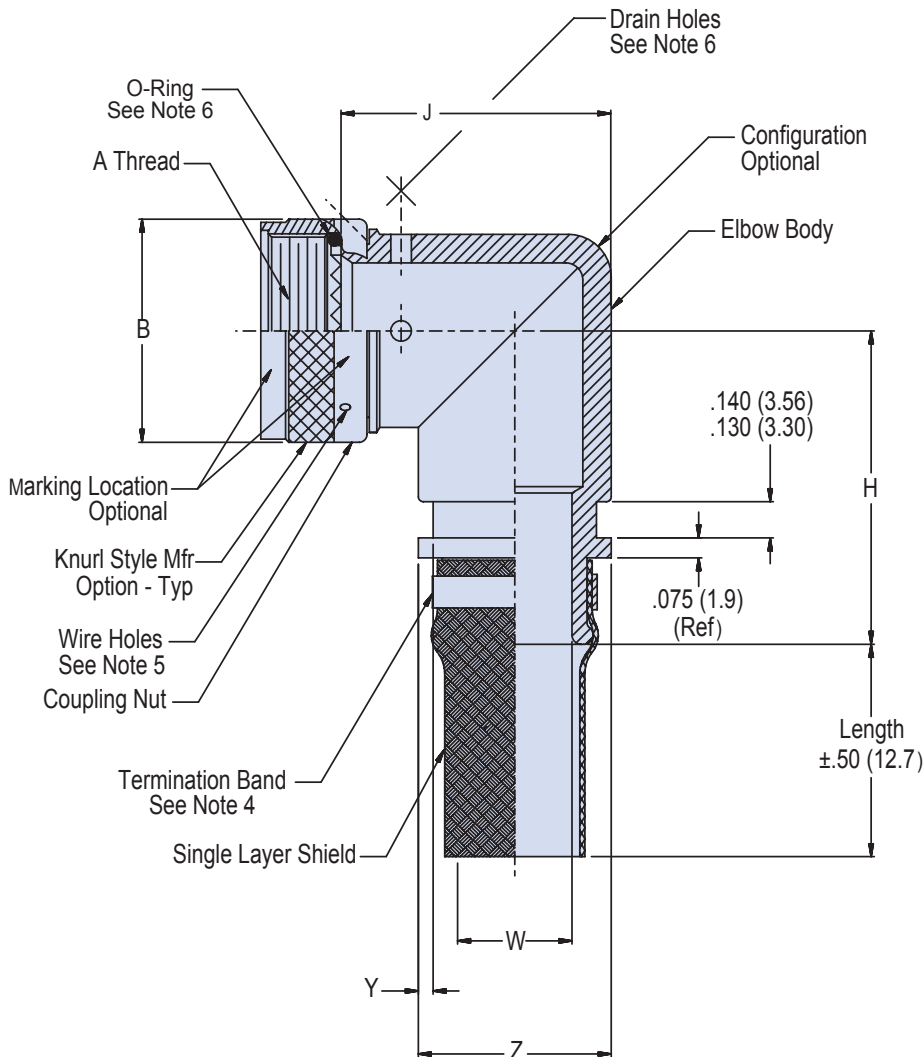


TABLE II: Entry Size and Dimensions

Entry Size	W ± .020 (.51)	Y +.008 (.20) -.000 (.00)	Z Max
01	.250 (6.4)	.044 (1.12)	.560 (14.2)
02	.312 (7.9)	.044 (1.12)	.630 (16.0)
03	.375 (9.5)	.044 (1.12)	.690 (17.5)
04	.438 (11.1)	.044 (1.12)	.750 (19.1)
05	.500 (12.7)	.044 (1.12)	.820 (20.8)
06	.562 (14.3)	.044 (1.12)	.890 (22.6)
07	.625 (15.9)	.044 (1.12)	.950 (24.1)
08	.688 (17.5)	.044 (1.12)	1.020 (25.9)
09	.750 (19.1)	.069 (1.75)	1.070 (27.2)
10	.812 (20.6)	.069 (1.75)	1.130 (28.7)
11	.875 (22.2)	.069 (1.75)	1.190 (30.2)
12	.938 (23.8)	.069 (1.75)	1.260 (32.0)
13	1.000 (25.4)	.069 (1.75)	1.320 (33.5)
14	1.125 (28.6)	.069 (1.75)	1.470 (37.3)

Dimensions in inches (millimeters) and are subject to change without notice.

AS85049/117
90° RFI/EMI Shield-Sock Shrink Boot Adapter
With Optional Self-Locking Coupling Nut



AS85049

B

TABLE I: Shell Size, Entry Size, Thread and Dimensions

Accessory Shell Size Code	A ISO Metric	B Max Diameter	H Max	J Max	Allowable Cable Entry Size
9	M12 x 1 - 6H	.858 (21.79)	1.730 (43.94)	.875 (22.23)	01
11	M15 x 1 - 6H	.984 (24.99)	1.850 (46.99)	1.000 (25.40)	01-03
13	M18 x 1 - 6H	1.157 (29.39)	1.870 (47.50)	1.125 (28.58)	01-05
15	M22 x 1 - 6H	1.279 (32.49)	1.940 (49.28)	1.312 (33.32)	03-07
17	M25 x 1 - 6H	1.406 (35.71)	2.030 (51.56)	1.500 (38.10)	05-09
19	M28 x 1 - 6H	1.516 (38.51)	2.200 (55.88)	1.750 (44.45)	06-10
21	M31 x 1 - 6H	1.642 (41.71)	2.200 (55.88)	1.750 (44.45)	08-12
23	M34 x 1 - 6H	1.768 (44.91)	2.310 (58.67)	2.000 (50.80)	09-13
25	M37 x 1 - 6H	1.889 (47.98)	2.310 (58.67)	2.000 (50.80)	10-14

Table III: Symbol and Finish

Symbol	Finish
N	Electroless Nickel
W	Cad/O.D. over electroless nickel (1000 hour salt spray)
Z	Black zinc nickel (1000 hour salt spray)

Table IV: Symbol and Finish

Symbol	Finish
K	Nickel Plate
T	Tin Plate

Table V: (Manufacturer's Option)

Material	Finish
Copper	Tin Plate
Stainless Steel	Passivated

APPLICATION NOTES

- Assembly identified with manufacturer's name and part number, space permitting.
- With Optional Self-Locking Coupling Nut Metric equivalents are given for general information only and are based on 1.000 inch (25.40 mm).
- Termination band configuration is not controlled. Band with buckle may exceed the "Z" dimension (See Table II) provided the band does not interfere with boot attachment, band material shall be specified as in Table V.
- Termination of the accessory shield with harness shield may be performed with a AS85049/93 shield support ring or similar split ring accessory types.
- Three (3) holes equally spaced shall be provided and accommodate .020 (.51) maximum safety wire for the non-self-locking coupling configuration.
- Drain holes will be provided with a .125 (3.2 mm) diameter, 4 places equally spaces (optional, see part number development). O-Ring not required when drain hole option is specified.
- Material/Finish:
 Adapter, coupling nut - Al alloy/See Table III
 Band - See Table V, manufacturer's option
 Braid - Copper/See Table IV

Dimensions in inches (millimeters) and are subject to change without notice.

© 2013 Glenair, Inc.

Mil-Spec Backshells

U.S. CAGE Code 06324

Printed in U.S.A.

Mouser Electronics

Authorized Distributor

Click to View Pricing, Inventory, Delivery & Lifecycle Information:

Glenair:

[M85049/117-09KN01-6](#) [M85049/117-09KW01-6](#) [M85049/117-09TN01-6](#) [M85049/117-09TW01-6](#) [M85049/117-11KN01-6](#) [M85049/117-11KN02-6](#) [M85049/117-11KN03-6](#) [M85049/117-11KW01-6](#) [M85049/117-11KW02-6](#) [M85049/117-11KW03-6](#) [M85049/117-11TN01-6](#) [M85049/117-11TN02-6](#) [M85049/117-11TN03-6](#) [M85049/117-11TW01-6](#) [M85049/117-11TW02-6](#) [M85049/117-11TW03-6](#) [M85049/117-13KN01-6](#) [M85049/117-13KN02-6](#) [M85049/117-13KN03-6](#) [M85049/117-13KN04-6](#) [M85049/117-13KN05-6](#) [M85049/117-13KW01-6](#) [M85049/117-13KW02-6](#) [M85049/117-13KW03-6](#) [M85049/117-13KW04-6](#) [M85049/117-13KW05-6](#) [M85049/117-13TN01-6](#) [M85049/117-13TN02-6](#) [M85049/117-13TN03-6](#) [M85049/117-13TN04-6](#) [M85049/117-13TN05-6](#) [M85049/117-13TW01-6](#) [M85049/117-13TW02-6](#) [M85049/117-13TW03-6](#) [M85049/117-13TW04-6](#) [M85049/117-13TW05-6](#) [M85049/117-15KN03-6](#) [M85049/117-15KN04-6](#) [M85049/117-15KN05-6](#) [M85049/117-15KN06-6](#) [M85049/117-15KN07-6](#) [M85049/117-15KW03-6](#) [M85049/117-15KW04-6](#) [M85049/117-15KW05-6](#) [M85049/117-15KW06-6](#) [M85049/117-15KW07-6](#) [M85049/117-15TN03-6](#) [M85049/117-15TN04-6](#) [M85049/117-15TN05-6](#) [M85049/117-15TN06-6](#) [M85049/117-15TN07-6](#) [M85049/117-15TW03-6](#) [M85049/117-15TW04-6](#) [M85049/117-15TW05-6](#) [M85049/117-15TW06-6](#) [M85049/117-15TW07-6](#) [M85049/117-17KN05-6](#) [M85049/117-17KN06-6](#) [M85049/117-17KN07-6](#) [M85049/117-17KN08-6](#) [M85049/117-17KN09-6](#) [M85049/117-17KW05-6](#) [M85049/117-17KW06-6](#) [M85049/117-17KW07-6](#) [M85049/117-17KW08-6](#) [M85049/117-17KW09-6](#) [M85049/117-17TN05-6](#) [M85049/117-17TN06-6](#) [M85049/117-17TN07-6](#) [M85049/117-17TN08-6](#) [M85049/117-17TN09-6](#) [M85049/117-17TW05-6](#) [M85049/117-17TW06-6](#) [M85049/117-17TW07-6](#) [M85049/117-17TW08-6](#) [M85049/117-17TW09-6](#) [M85049/117-19KN06-6](#) [M85049/117-19KN07-6](#) [M85049/117-19KN08-6](#) [M85049/117-19KN09-6](#) [M85049/117-19KN10-6](#) [M85049/117-19KW06-6](#) [M85049/117-19KW07-6](#) [M85049/117-19KW08-6](#) [M85049/117-19KW09-6](#) [M85049/117-19KW10-6](#) [M85049/117-19TN06-6](#) [M85049/117-19TN07-6](#) [M85049/117-19TN08-6](#) [M85049/117-19TN09-6](#) [M85049/117-19TN10-6](#) [M85049/117-19TW06-6](#) [M85049/117-19TW07-6](#) [M85049/117-19TW08-6](#) [M85049/117-19TW09-6](#) [M85049/117-19TW10-6](#) [M85049/117-21KN08-6](#) [M85049/117-21KN09-6](#) [M85049/117-21KN10-6](#) [M85049/117-21KN11-6](#)