

SUB ASSEMBLY PART NO. AND CH. CODE		PART NO. AND CH. CODE		MATERIAL		COLOR		QTY.	
7283-5972, $\Delta$		① 7183-5972		PBT		NATURAL		1	
		② 7158-5132		PBT		NATURAL		1	

注記

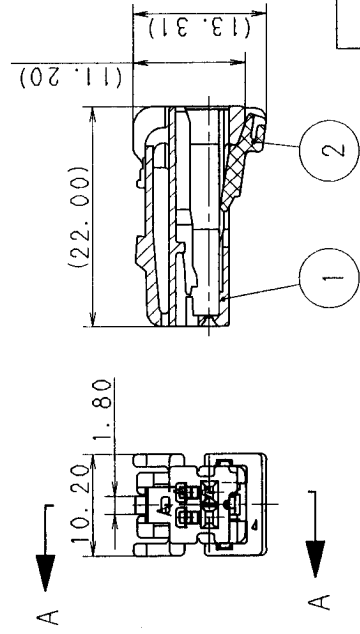
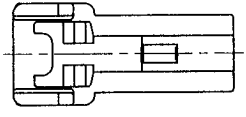
1. 適用端子品番 : 7116-4233-02 ETC.

2. 嵌合端子品番 : 7282-5972

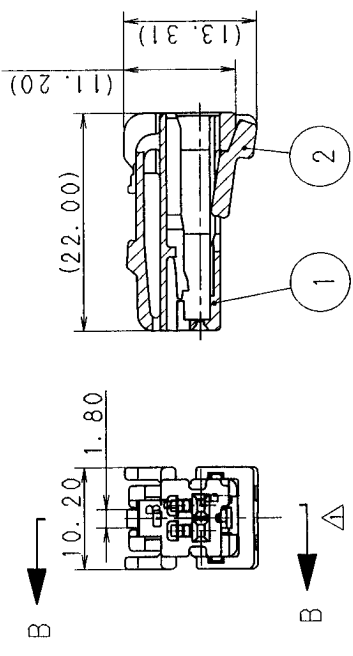
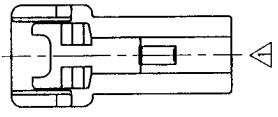
NOTES

1. APPLICABLE TERMINAL PART NO. : 7116-4233-02 ETC.

2. MATING PART NO. : 7282-5972



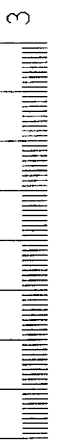
SEC. A-A



SEC. B-B

SUB ASSEMBLY (NOTE 3)

MATERIAL SPEC.		SEE TABLE		TREAT. & FIN.		ISSUE MARK	
NAME TK TYPE CONNECTOR 2P		SUB ASSEMBLY FEMALE (TK02FW)		PART NO. 7283-5972, $\Delta$		SET DWG NO.	
DWG NO. 7283-5972 : R		KASHIYAMA NAKAO		98.09.04		98.06.29	
99.04.20		99.04.16		99.04.12		99.04.08	
APPROVED		CHECKED		DESIGN		DRAWN	
R		NEW		M		2/1	
10MAX		50MAX		100MAX		2500V	
A		±0.15		±0.2		±0.3	
B		±0.2		±0.3		±0.5	
C		±0.3		±0.5		±1.4	
SPECIFIED		MASS		g		9	
LET		DATE		REVISION RECORD		NO.	
①		99.04.08		ADDED DRAWING, $\Delta$		C99-L387 M. K	
②		98.09.04		NEW		C98-M569 K. T	
③							
OFFICE		TRIAL PART NO.		CUSTOMER PART NO.		CUSTOMER DWG NO.	
VENDOR		VENDOR NO.		DWG TYPE		DWG SOURCE	
KASHIYAMA NAKAO				R		NEW	
98.09.04		98.09.04		M		2/1	
99.04.20		99.04.16		99.04.12		99.04.08	
99.04.20		99.04.16		99.04.12		99.04.08	
99.04.20		99.04.16		99.04.12		99.04.08	



2

1