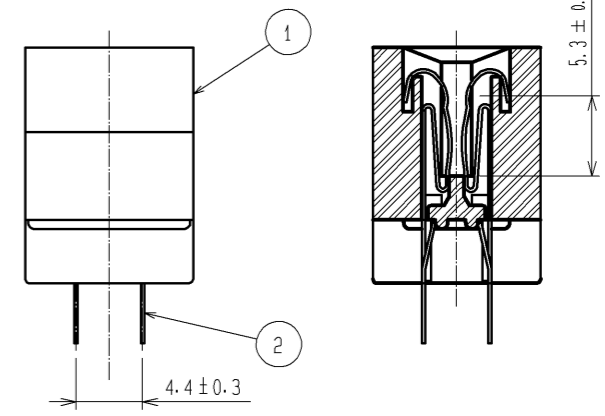
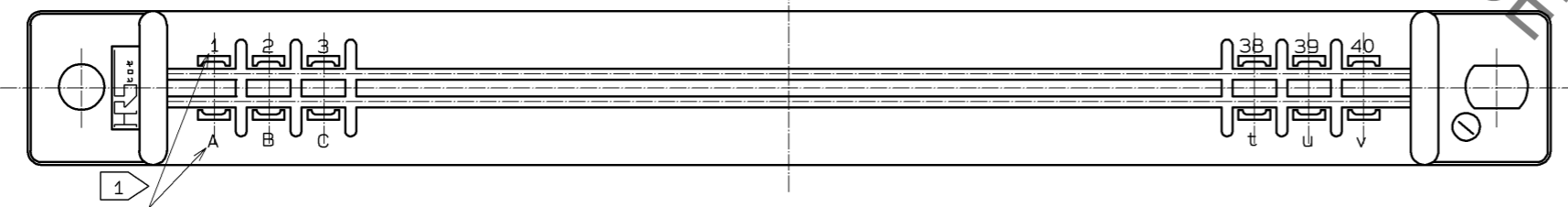
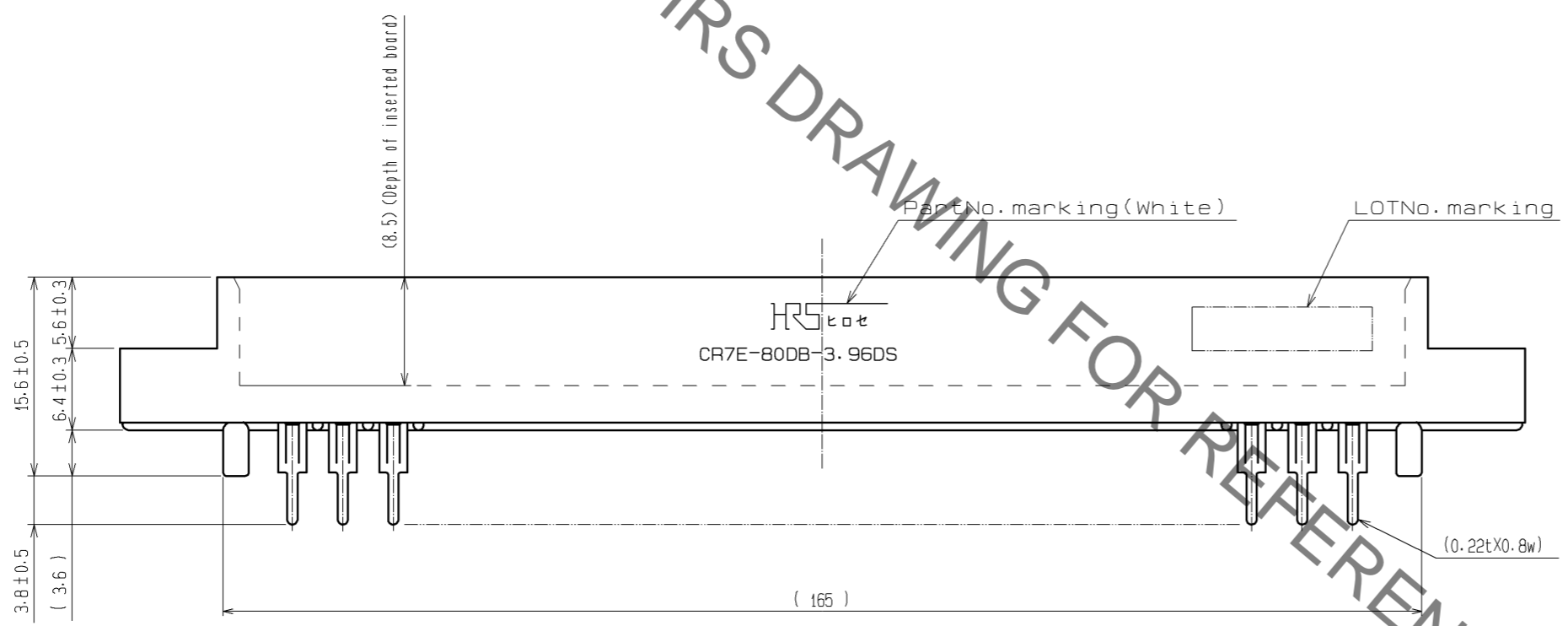
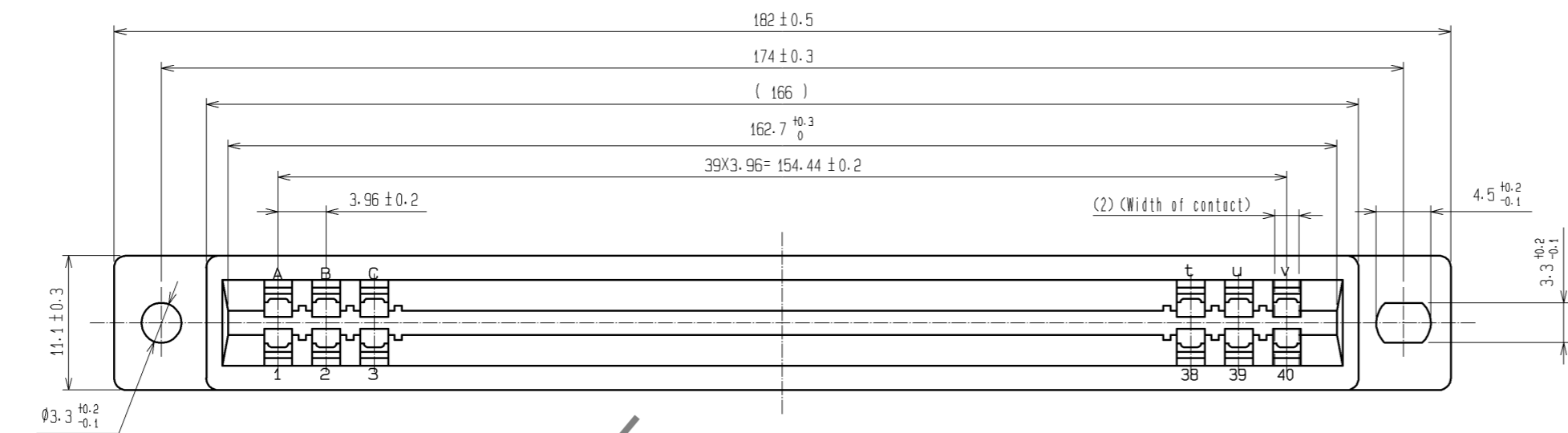


Jun.1.2019 Copyright 2019 HIROSE ELECTRIC CO., LTD. All Rights Reserved.
 In case of consideration for using Automotive equipment / device which demand high reliability, kindly contact our sales window correspondents.



注 1 Contact No. is indicated as shown below.
 1 2 3 4 5 6 7 8 9 10 11 12 13 14 15 16 17 18 19 20 21 22 23 24 25 26 27 28 29 30 31 32 33 34 35 36 37 38 39 40
 A B C D E F H J K L M N P R S T U V W X Y Z a b c d e f h j k l m n p r s t u v

2	PHOSPHOR BRONZE	CONTACT AREA: Ni2.5μm+Au0.2μm DIP AREA: Ni2.5μm+Sn2μm
1	Polycarbonate	BLUE UL-94V-0
NO.	MATERIAL	FINISH, REMARKS

UNITS	SCALE	COUNT	DESCRIPTION OF REVISIONS	DESIGNED	CHECKED	DATE
mm	2:1	△				
APPROVED: HT. YAMAGUCHI			12.05.15	DRAWING NO. EDC3-016767-01		
CHECKED: HT. YAMAGUCHI			12.05.15	PART NO. CR7E-80DB-3.96DS(72)		
DESIGNED: TY. EDAGAWA			12.05.15	CODE NO. CL507-0122-3-72		
DRAWN: TY. EDAGAWA			12.05.15	△ 1/1		

Mouser Electronics

Authorized Distributor

Click to View Pricing, Inventory, Delivery & Lifecycle Information:

[Hirose Electric:](#)

[CR7E-80DB-3.96DS\(72\)](#)