

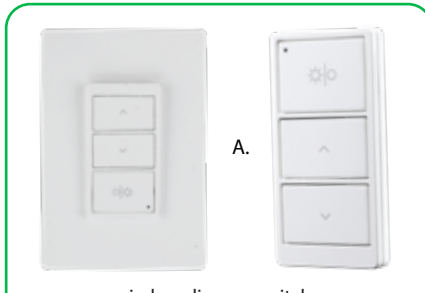


*your manual control system starter kit

Part Number	Frequency	Voltage	Range	Stand-by Consumption	Included Items
GI-WDCS-SPP	433.92 Mhz	100-277 V	100 ft	0.6 W	0-10 V control unit



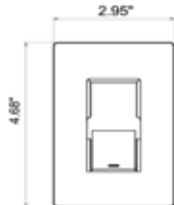
control unit



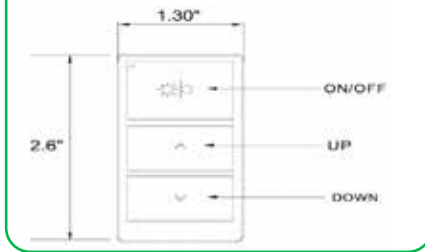
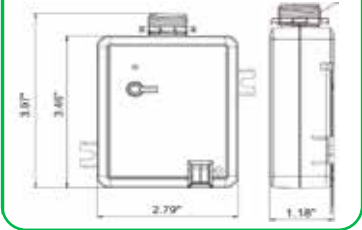
wireless dimmer switch



B.



mounting plate



*add your auto control sensor accessories

Accessory Part Number	Description	Battery Life
GI-ACC-WDCS-DS 1 per system	controller and dimmer switch -includes wall mount	5-years A.
GI-ACC-WDCS-DLS 1 per system	daylight harvesting sensor	5-years B.
GI-ACC-WDCS-MFS up to 5 per system	COMBO -occupancy COMBO -daylight harvesting	5-years C.
GI-ACC-WDCS-OCC up to 5 per system	occupancy sensor	5-years D.

- Features
- ▶ Batteries are included
 - ▶ Seamless pairing



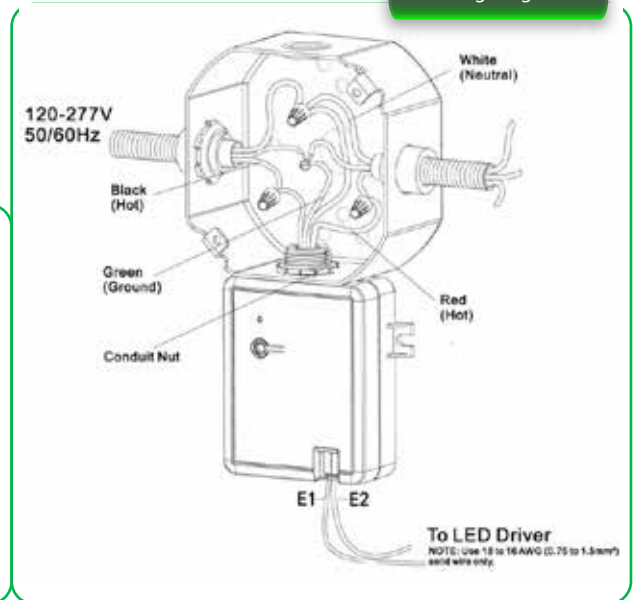
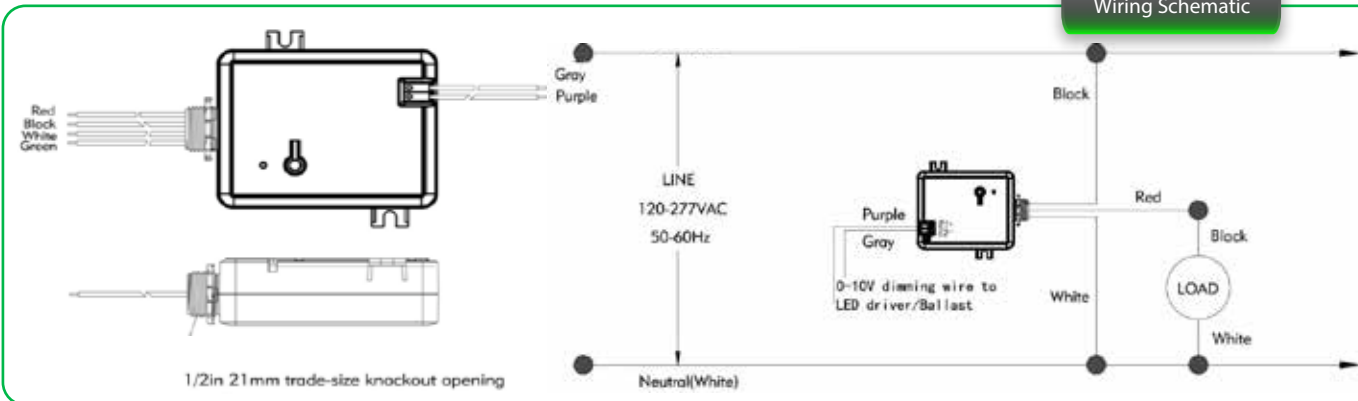
D.

*optional



C.

Wiring Diagram



Not all product variations listed on this page may be DLC qualified. Visit www.designlights.org/search to confirm qualification.

